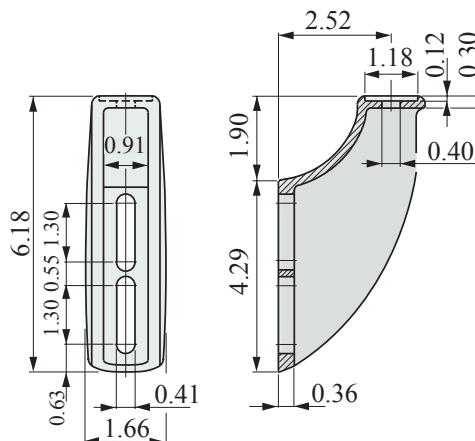


Side Mounting Bracket

Part # 632-647142



Side mounting brackets are supplied in black reinforced polyamide.

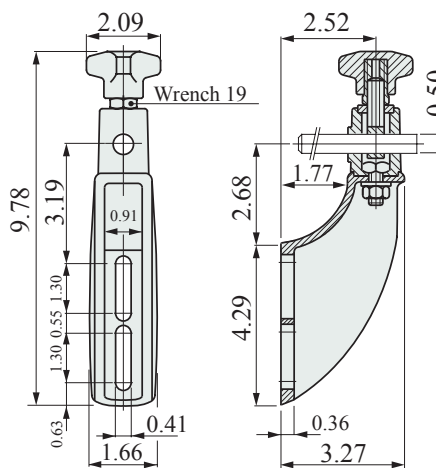


Side Mounting Bracket

Part # 637-648372

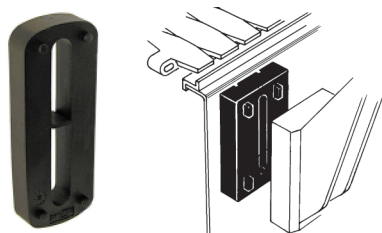


Side mounting brackets are supplied for 1/2" round shafts.
Material : knob in reinforced polyamide, hexagonal insert (for 3/4" wrench) in nickel plated brass, washer and eyebolt in stainless AISI 304. Base is supplied in black reinforced polyamide.



ACCESSORIES

Spacer #725-688762



See page 35 for details.

Spacer #227-61931



See page 34 for details.

Eyebolt #65524 (1/2")



1/2" bore, M10 thread, Stainless Steel.

Washer # 64184



Stainless Steel, fits base bracket or swivel head.

Swivel Head # 256



Available in 1/2" or 5/8", see page 35.

Knob # 182-54911



See page 35 for details.