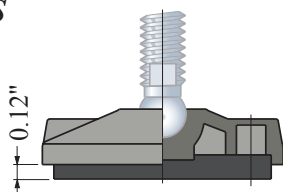


Leveling Pad

- Footplate material : reinforced polyamide PA FV (black).
- Anti-slip pad supplied separately.
- M16 Nut supplied separately

Accessories

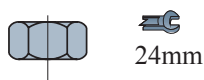
Anti-slip pad



- Code : 630052

- Material : NBR rubber (black), 70 Shore.
- Assembly : Press-fit.

M16 Nut



- Code : 630212.

- Material : Stainless steel AISI 304

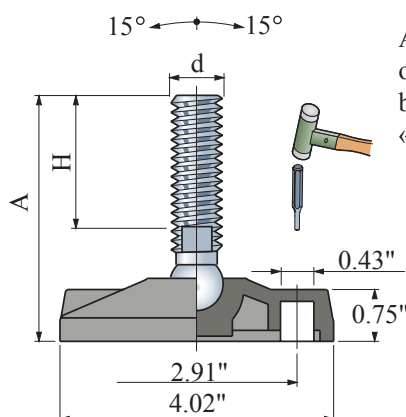


4.02" Base Diameter
with 2 Anchor Holes

Thread d	Height A	Thread Length H	Spindle Type	Wrench	Max. Load	Spindle in stainless steel AISI 303 Code	Spindle in zinc plated steel Code
1/2" unc	5.90"	4.06"	0.96" *	0.75" (19)	2925 lbs	133-654421	-
5/8" unc	5.94"	4.30"	0.96"	0.94" (24)	2925 lbs	133-659242	-
	7.75"	5.90"	0.96" *	0.94" (24)	2925 lbs	133-659302	133-659522
3/4" unc	7.33"	5.68"	0.96"	0.94" (24)	2925 lbs	133-659352	133-659562
M16	3.74"	2.48"	0.56"	0.63" (16)	2700 lbs	-	133-633272**
M16	4.53"	2.91"	0.96"	0.94" (24)	2925 lbs	133-627212	-
M16	7.28"	5.67"	0.96"	0.94" (24)	2925 lbs	133-627232	-
M16	7.87"	6.26"	0.96"	0.94" (24)	2925 lbs	133-627242	-

*Polyamide ball Maximum applicable load in static conditions.

**Nickel Plated Brass



Anchor holes, obtainable by breaking «diaphragm».